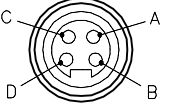
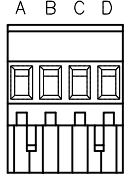
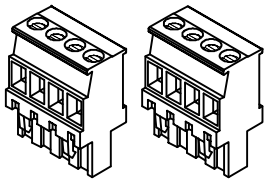
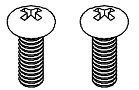
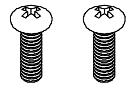

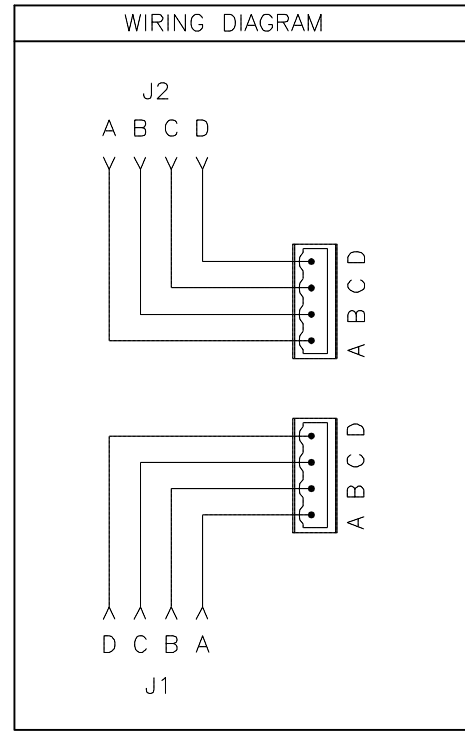
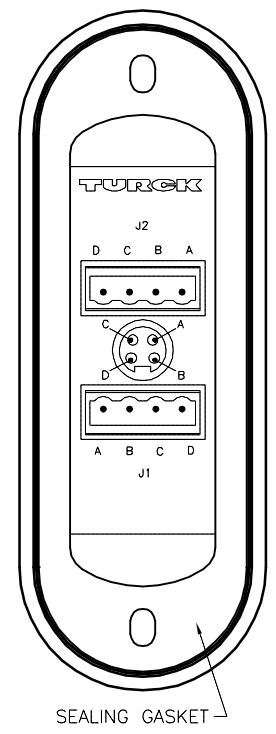
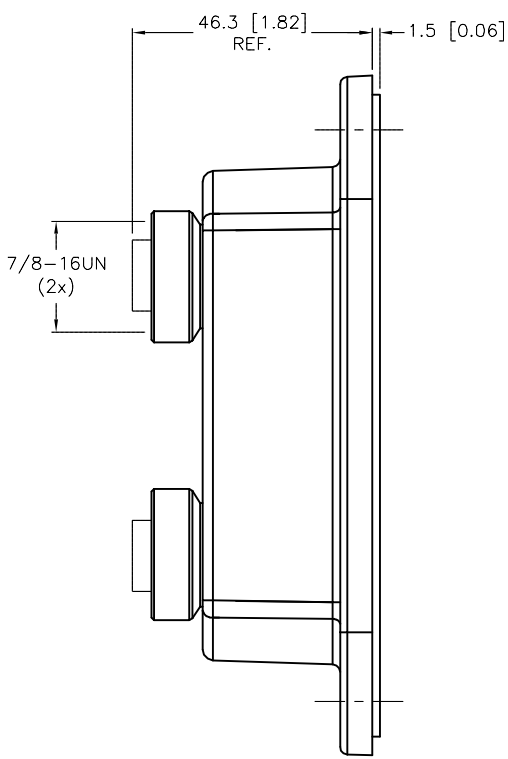
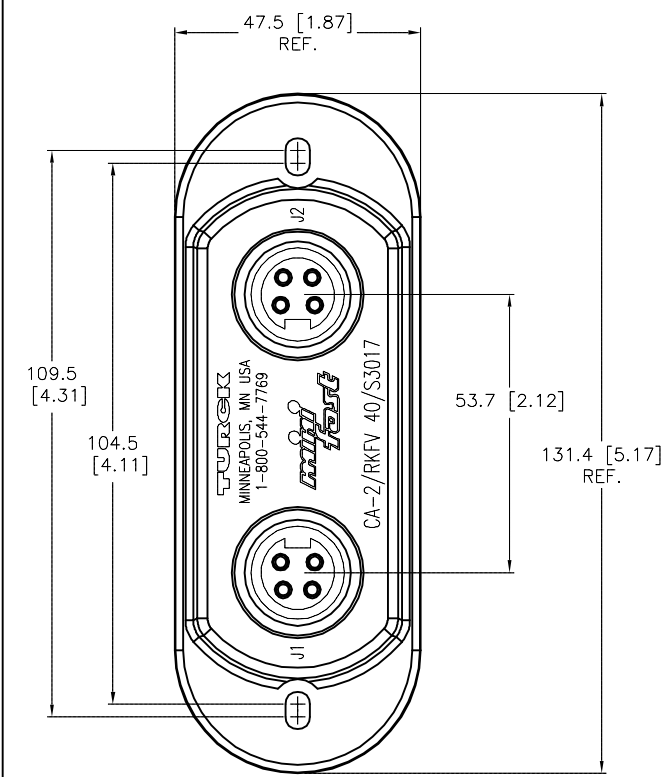

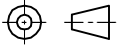


J1, J2 CONNECTORS	TERMINAL BLOCK PLUGS	TERMINAL PLUGS INCLUDED	COVER SCREWS INCLUDED	SPECIFICATIONS	
			 FORM 8 CONDUIT BODIES: 10-24 SCREWS  MARK 9 CONDUIT BODIES: 8-32 SCREWS	HOUSING MATERIAL/COLOR	NYLON 66 - 33% GLASS FILLED/BLACK
				RECEPTACLE HOUSING	STAINLESS STEEL/PASSIVATED
				CONTACT CARRIERS/COLOR	TPU/BLACK
				CONTACTS	GOLD-PLATED BRASS
				OPERATING VOLTAGE	250 V
				OPERATING CURRENT	9.0 A PER CONDUCTOR
				PROTECTION CLASS to DIN 40050	IP 67 - ONLY WHEN ALL RECEPTACLES ARE COVERED WITH PLUGS OR CONNECTED
				OPERATING TEMPERATURE	-30°C to +80°C (-22°F to +176°F)



NOTES:
 1. "/S3017" DESIGNATES SLOTTED HOLE PATTERN ON CONDUIT COVER.

SOURCE DRAWING - FOR REFERENCE ONLY

RELATED DOCUMENTS				3RD ANGLE PROJECTION	THIS DRAWING IS CONFIDENTIAL AND THE PROPERTY OF TURCK INC. USE OF THIS DOCUMENT WITHOUT WRITTEN PERMISSION IS PROHIBITED.	 High Technology Sensors and Automation Controls		3000 CAMPUS DRIVE MINNEAPOLIS, MN 55441 1-800-544-7769 (763) 553-7300 (763) 553-0708 fax turck.com	
1. 2. 3. 4.						DRFT RDS	DATE 08/10/09	DESCRIPTION	
MATERIAL				ALL DIMENSIONS DISPLAYED ON THIS DRAWING ARE FOR REFERENCE ONLY	APVD	SCALE 1=1.5	CA-2/RKFV 40/S3017		
SEE SPECIFICATIONS					UNIT OF MEASUREMENT		IDENTIFICATION NO.		REV
FINISH				CONTACT TURCK FOR MORE INFORMATION	MILLIMETER [INCH]		U3-10855		C
SEE SPECIFICATIONS					DO NOT SCALE THIS DRAWING		FILE: U3-10855		SHEET 1 OF 1

C	ADD THICKER GASKET	RDS	09/12/13	42993
REV	DESCRIPTION	BY	DATE	ECO NO.